

General Information

All dimensions in mm
General tolerances:
 $\pm 0.13\text{mm}$
Material:
Stainless steel
Grade 416
Treatment:
Hardened to
35-45 HRc.
Pressure angle 20°

Part number selection table

Part Number	Circular Pitch (mm)	Pitch Height P	Rack Thrust (N)	Number of Holes
RH79-25M-300	2.5	24.601 24.576	130*	6

Associated Products

Hardened rack pinions
Fasteners

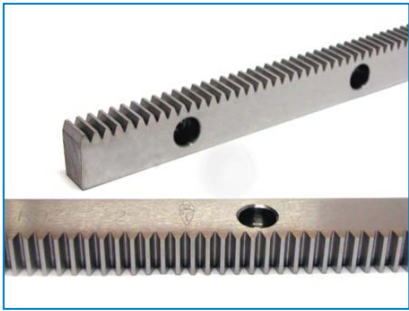
Or visit our online catalogue for associated products at:

* Quoted rack thrust based on meshing with a 76 tooth pinion.

- Cumulative pitch error 0.015mm.
- Ground teeth, standard accuracy grade 3.
- Manufactured from stainless steel.
- High load capacity.
- Unlimited axis lengths possible by setting individual racks together.

Non-standard options, please enquire....

- Alternative lengths available, to a maximum of 500mm.
- Shorter lengths.
- Alternative pitches, including module.
- 25° pressure angle available.



www.rpmechatronics.co.uk



Rectangular Rack

Ground Helicoidal Rack

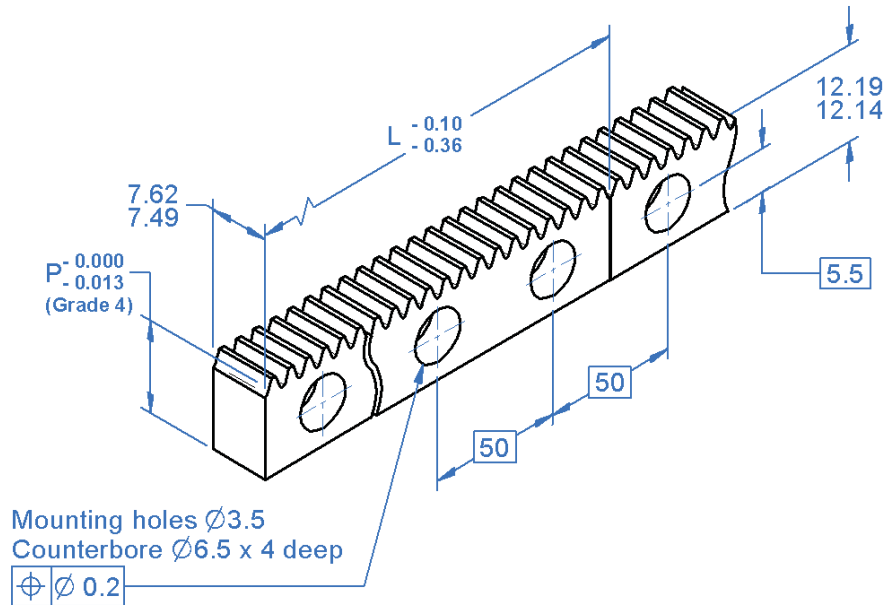
General Information

All dimensions in mm
 General tolerances:
 $\pm 0.13\text{mm}$
 Material:
 Stainless steel
 Grade 416
 Treatment:
 Hardened to
 35-45 HRc.
 Pressure angle 20°

Associated Products

Rack pinions
 Fasteners
 Encoders

Or visit our online catalogue for associated products at:



Part number selection table

Part Number	Circular Pitch (mm)	Length L	Pitch Height P	Number of Holes
R9-1M-300	1	300	11.869	6
R9-2M-300	2		11.550	
R9-25M-300	2.5		11.391	
R11-1M-600	1	600	11.869	12
R11-2M-600	2		11.550	
R11-25M-600	2.5		11.391	

www.rpmechatronics.co.uk

- Cumulative pitch error less than 0.008mm per 300mm.
- Ground teeth, standard accuracy grade 4.
- Manufactured from a stainless steel.
- Unlimited axis lengths possible by setting individual racks together.

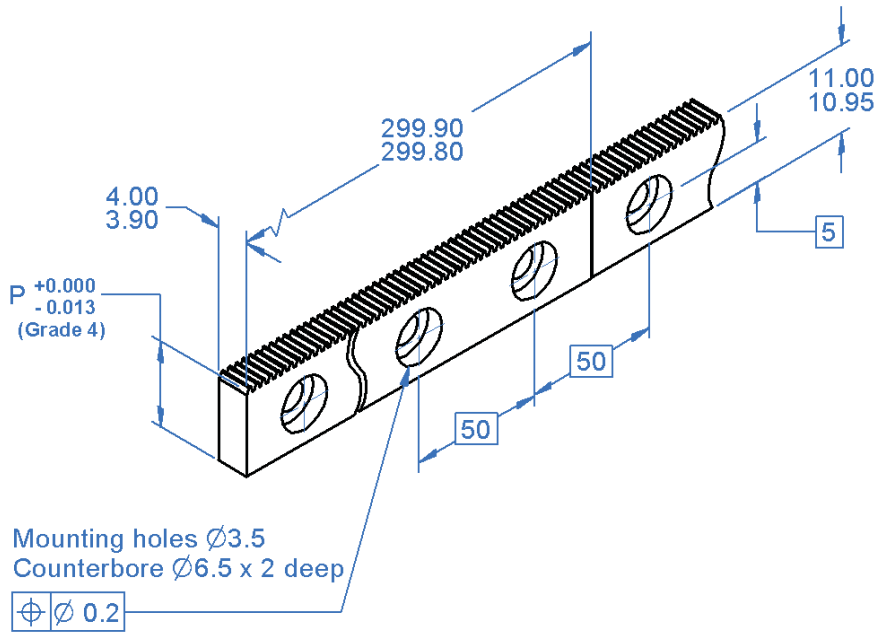
Non-standard options, please enquire....

- Shorter lengths.
- Alternative pitches, including module.
- Higher accuracy grades.
- See technical data, page 56 for alternative grades.



Standard Product Sales : ☎ +44 (0)1484 601060 📠 +44 (0)1484 601061
 www.rpmechatronics.co.uk sales@rpmechatronics.co.uk

© Reliance Precision Mechatronics LLP



General Information

All dimensions in mm
 General tolerances:
 ± 0.13 mm
 Material:
 Stainless steel
 Grade 416
 Treatment:
 Hardened to
 35-45 HRc.
 Pressure angle 20°

Associated Products

Rack pins
 Fasteners
 Encoders

Or visit our online catalogue for associated products at:

Part number selection table

Part Number	Circular Pitch (mm)	Pitch Height P	Number of Holes
R5-1M-300	1	10.679	6

- Cumulative pitch error less than 0.008mm per 300mm.
- Ground teeth, standard accuracy grade 4.
- Manufactured from a stainless steel.
- Unlimited axis lengths possible by setting individual racks together.

Non-standard options, please enquire....

- Shorter lengths.
- Alternative pitches, including module.
- Higher accuracy grades.
- See technical data, page 56 for alternative grades.



www.rpmechatronics.co.uk