



Plain Rack Pinions

6mm & 1/4" Bore

General Information

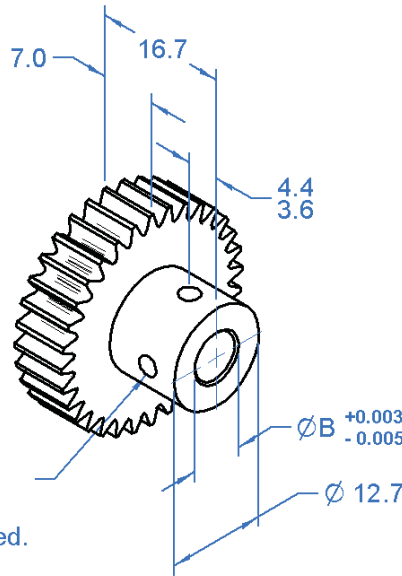
All dimensions in mm
 General tolerances:
 ±0.13mm
 Material:
 Stainless steel
 Grade 316
 Pressure angle 20°

Associated Products

Racks
 Encoders
 Flexplates

Visit our online catalogue for associated products at:

www.rpmechatronics.co.uk



Part number selection table

Example Part No:- **SH25MS2B6F7A- 32**

Basic Part Number	Circular Pitch (mm)	Bore Size ØB	No. of Teeth	
			Min	Max
SH1MS2B6F7A-	1	6	43	111
SH2MS2B6F7A-	2		23	54
SH25MS2B6F7A-	2.5		19	43
SH1MS2B250F7A-	1	1/4"	43	111
SH2MS2B250F7A-	2		23	54
SH25MS2B250F7A-	2.5		19	43

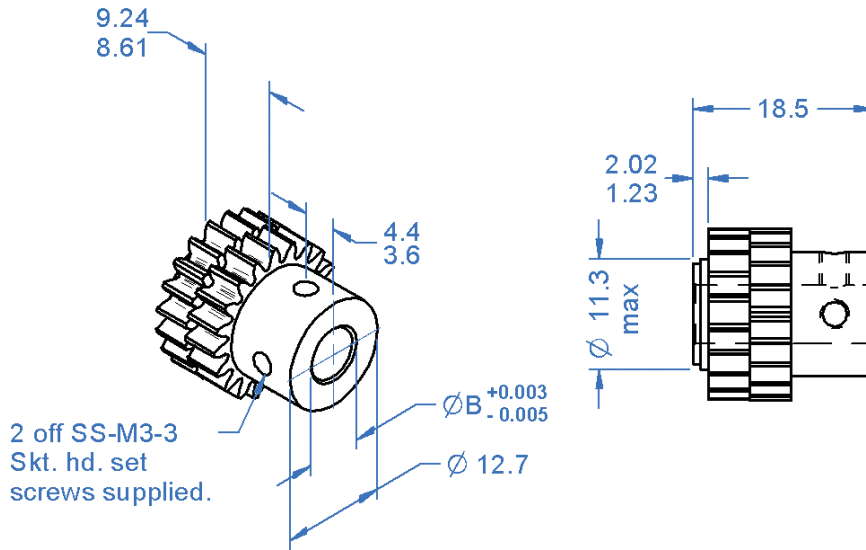
- Standard accuracy AQ10.
- Higher accuracy & zero backlash when used with Flexplate assemblies.
- Ideal for use with Reliance soft & hardened, round & rectangular rack.

Non-standard options, please enquire....

- Higher accuracy grades.
- Alternative pitches, including module.
- Alternative bore sizes.



Standard Product Sales : ☎ +44 (0)1484 601060 📧 +44 (0)1484 601061
 www.rpmechatronics.co.uk sales@rpmechatronics.co.uk



General Information

All dimensions in mm
 General tolerances: $\pm 0.13\text{mm}$
 Material: Stainless steel Grade 316
 Pressure angle 20°

Associated Products

Racks
 Encoders

Visit our online catalogue for associated products at:

Part number selection table

Example Part No:- **AH25MS2B6F89A- 20**

Basic Part Number	Circular Pitch (mm)	Bore Size $\varnothing B$	No. of Teeth	
			Min	Max
AH1MS2B6F89A-	1	6	46	54
AH2MS2B6F89A-	2		24	26
AH25MS2B6F89A-	2.5		20	20
AH1MS2B250F89A-	1	1/4"	46	54
AH2MS2B250F89A-	2		24	26
AH25MS2B250F89A-	2.5		20	20

- Standard accuracy AQ10.
- Ideal for use with Reliance soft & hardened, round & rectangular rack.
- Ideal for lightly loaded measurement applications.

Non-standard options, please enquire....

- Higher accuracy grades.
- Alternative pitches, including module.
- Alternative bore sizes.



www.rpmechatronics.co.uk



Plain Rack Pinions

10mm & 3/8" Bore

General Information

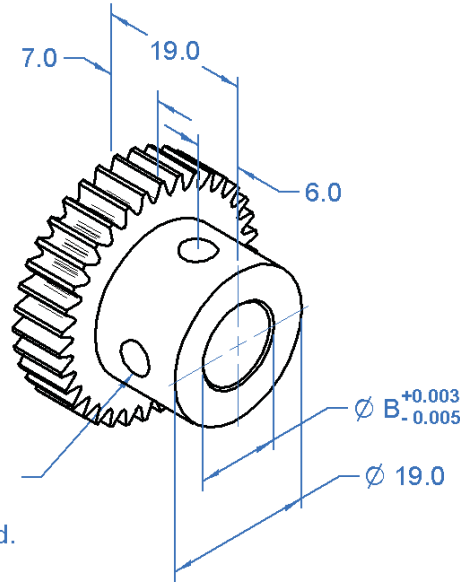
All dimensions in mm
 General tolerances:
 ±0.13mm
 Material:
 Stainless steel
 Grade 316
 Pressure angle 20°

Associated Products

Racks
 Encoders
 Flexplates

Visit our online catalogue for associated products at:

www.rpmechatronics.co.uk



Part number selection table

Example Part No:- **SH25MS2B10F7A- 32**

Basic Part Number	Circular Pitch (mm)	Bore Size ØB	No. of Teeth	
			Min	Max
SH1MS2B10F7A-	1	10	63	104
SH2MS2B10F7A-	2		33	51
SH25MS2B10F7A-	2.5		27	40
SH1MS2B375F7A-	1	3/8"	63	104
SH2MS2B375F7A-	2		33	51
SH25MS2B375F7A-	2.5		27	40

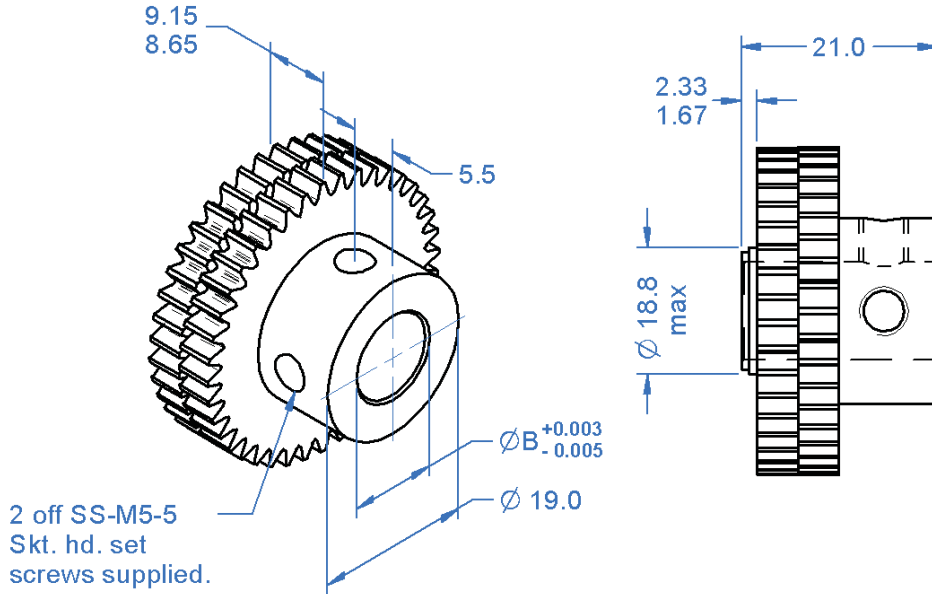
- Standard accuracy AQ10.
- Higher accuracy when used with Flexplate assemblies.
- Ideal for use with Reliance soft & hardened, round & rectangular rack.

Non-standard options, please enquire...

- Higher accuracy grades.
- Alternative pitches, including module.
- Alternative bore sizes.



Standard Product Sales : ☎ +44 (0)1484 601060 📠 +44 (0)1484 601061
 www.rpmechatronics.co.uk sales@rpmechatronics.co.uk



General Information

All dimensions in mm
 General tolerances: $\pm 0.13\text{mm}$
 Material: Stainless steel Grade 316
 Pressure angle 20°

Associated Products

Racks
 Encoders

Visit our online catalogue for associated products at:

Part number selection table

Example Part No:- **AH25MS2B10F89A- 40**

Basic Part Number	Circular Pitch (mm)	Bore Size $\varnothing B$	No. of Teeth	
			Min	Max
AH1MS2B10F89A-	1	10	87	104
AH2MS2B10F89A-	2		45	51
AH25MS2B10F89A-	2.5		37	40
AH1MS2B375F89A-	1	3/8"	87	104
AH2MS2B375F89A-	2		45	51
AH25MS2B375F89A-	2.5		37	40

- Standard accuracy AQ10.
- Ideal for use with Reliance soft & hardened, round & rectangular rack.
- Ideal for lightly loaded measurement applications.

Non-standard options, please enquire....

- Higher accuracy grades.
- Alternative pitches, including module.
- Alternative bore sizes.



www.rpmechatronics.co.uk