



Hardened Rack Pinions

6mm & 1/4" Bore

General Information

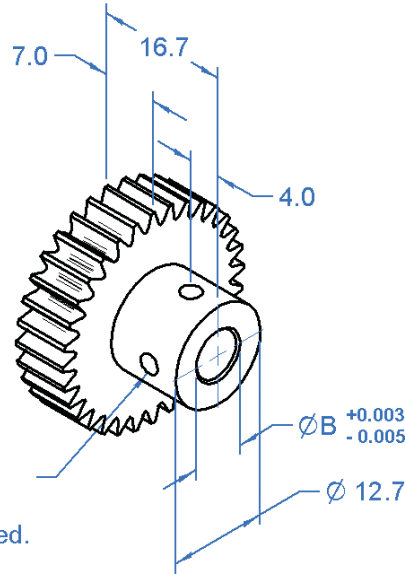
All dimensions in mm
 General tolerances:
 ±0.13mm
 Material:
 Stainless steel,
 17-4PH
 Hardened to:
 36/40 HRC.
 Pressure angle 20°

Associated Products

Racks

Visit our online catalogue for associated products at:

www.rpmechatronics.co.uk



Part number selection table

Example Part No:- **SH25MS9B6F7A- 35**

Basic Part Number	Circular Pitch (mm)	Bore Size ØB	No. of Teeth	
			Min	Max
SH1MS9B6F7A-	1	6	43	111
SH2MS9B6F7A-	2		23	54
SH25MS9B6F7A-	2.5		19	43
SH1MS9B250F7A-	1	1/4"	43	111
SH2MS9B250F7A-	2		23	54
SH25MS9B250F7A-	2.5		19	43

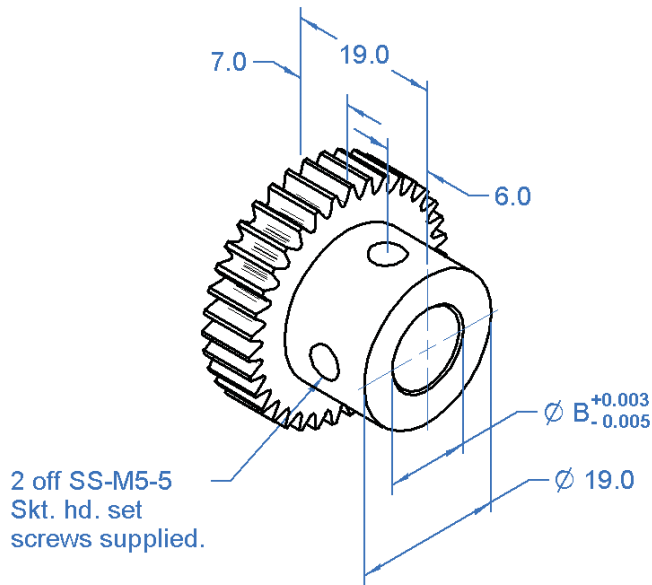
- Standard accuracy AQ10.
- Suitable for light actuation applications.
- Longer pinion life, higher load and provides higher thrust.
- Ideal for use with Reliance hardened round and rectangular rack.

Non-standard options, please enquire....

- Higher accuracies.
- Alternative pitches, including module.
- Alternative bore sizes.
- Alternative materials.
- Special wear resistant coating.



Standard Product Sales : ☎ +44 (0)1484 601060 📠 +44 (0)1484 601061
 www.rpmechatronics.co.uk sales@rpmechatronics.co.uk



General Information

All dimensions in mm
 General tolerances: $\pm 0.13\text{mm}$
 Material: Stainless steel, 17-4PH
 Hardened to: 36/40HRc.
 Pressure angle 20°

Associated Products

Racks
 Visit our online catalogue for associated products at:

Part number selection table

Example Part No:- **SH25MS9B10F7A- 35**

Basic Part Number	Circular Pitch (mm)	Bore Size ϕB	No. of Teeth	
			Min	Max
SH1MS9B10F7A- SH2MS9B10F7A- SH25MS9B10F7A-	1 2 2.5	10	63 33 27	104 51 40
SH1MS9B375F7A- SH2MS9B375F7A- SH25MS9B375F7A-	1 2 2.5	3/8"	63 33 27	104 51 40

- Standard accuracy AQ10.
- Suitable for light actuation applications.
- Longer pinion life, higher load and provides higher thrust.
- Ideal for use with Reliance hardened round and rectangular rack.

Non-standard options, please enquire....

- Higher accuracies.
- Alternative pitches, including module.
- Alternative bore sizes.
- Alternative materials.
- Special wear resistant coating.



www.rpmechatronics.co.uk