



# PEEK™ Polymer Rack Pinions

4 & 5mm Bore

## General Information

All dimensions in mm  
 General tolerances:  
 $\pm 0.13\text{mm}$   
 Material:  
 PEEK™ 450G pinion with  
 Stainless steel 303 hub.  
 Pressure angle 20°

## Associated Products

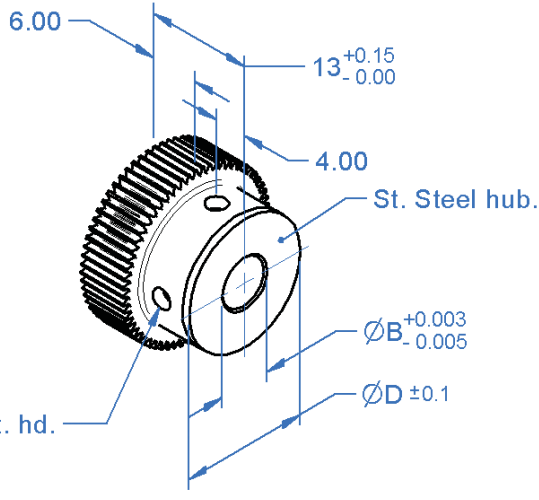
Racks  
 Stepper motors

Or visit our online catalogue for associated products at:

## Notes

PEEK™ is a trademark of Victrex PLC.

www.rpmechatronics.co.uk



## Part number selection table

Example Part No:- **SH1MP1B4F6A- 35**

Basic Part Number	Circular Pitch (mm)	Bore Size $\varnothing B$	Boss Dia $\varnothing D$	Screw T	Standard No. of Teeth
<b>SH1MP1B4F6A-</b>	1	4	10	SS-M2.5-3	<b>35</b>
<b>SH1MP1B5F6A-</b>	1	5	12	SS-M3-3	<b>40 50</b>

- Standard accuracy AQ10.
- Unique stainless steel insert for accurate non-slip attachment to shafts.
- Ideal for driving Reliance tubular rack - see page 24.

## Non-standard options, please enquire....

- Other numbers of teeth.
- Higher accuracies.
- Alternative pitches, including module.
- Alternative bore sizes.



Standard Product Sales : ☎ +44 (0)1484 601060 📧 +44 (0)1484 601061  
 www.rpmechatronics.co.uk sales@rpmechatronics.co.uk

© Reliance Precision Mechatronics LLP