



Spline Shafts

RSS Series

General Information

All dimensions in mm
 General tolerances:
 $\pm 0.13\text{mm}$
 Material:
 Spline shaft -
 Aluminium alloy, TFE
 coated or
 Stainless Steel
 Bushing - Graphite and
 PTFE filled
 thermoplastic, with
 brass collar.

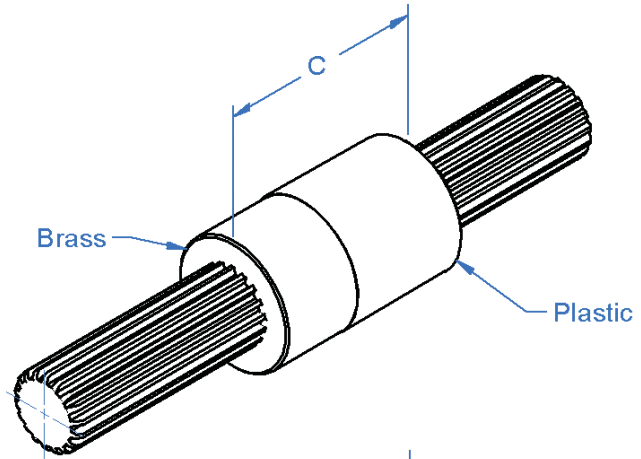
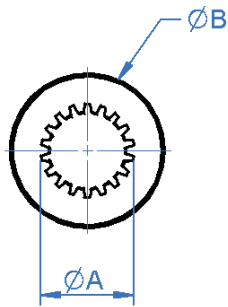
Associated Products

Leadscrews
 Bearings
 Fasteners

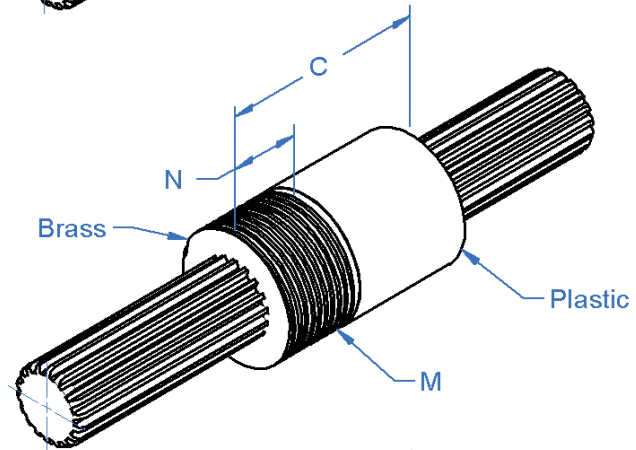
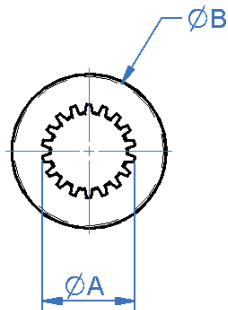
Visit our online
 catalogue for
 associated products at:

www.rpmechatronics.co.uk

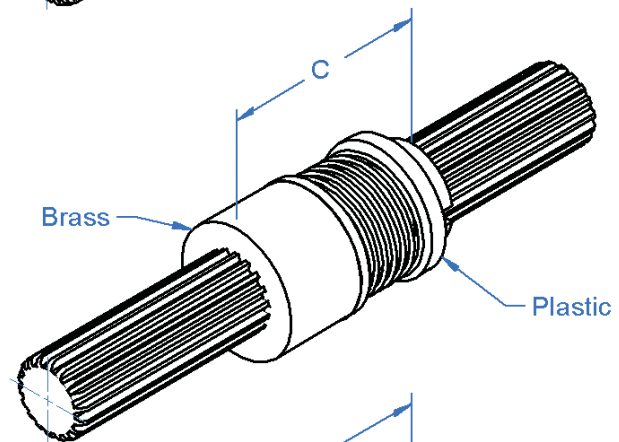
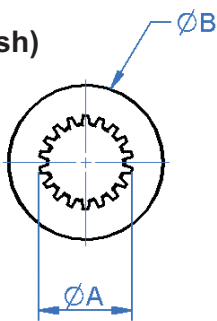
**RSSBP
(Basic)**



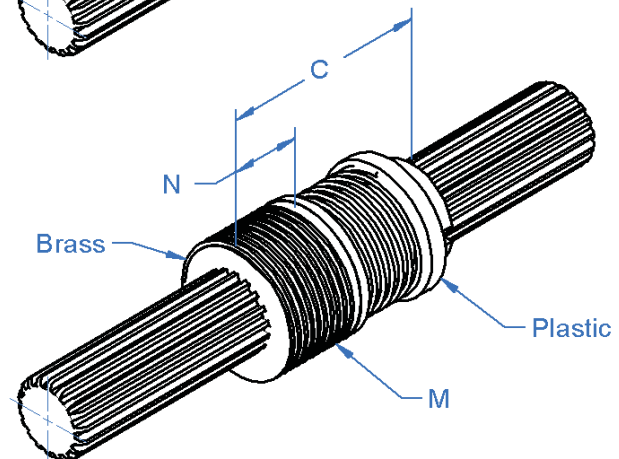
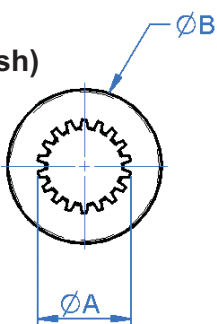
**RSSBY
(Basic)**



**RSSZP
(Anti-backlash)**



**RSSZY
(Anti-backlash)**



Standard Product Sales : ☎ +44 (0)1484 601060 📠 +44 (0)1484 601061
 www.rpmechatronics.co.uk sales@rpmechatronics.co.uk

© Reliance Precision Mechatronics LLP



Part number selection table

Example Part No:- **RSS B P 6 T 1 - 100mm**

Shaft length
Number of bushings
TFE coating (standard)

Basic Part No.	Bushing Style	Mount	Size Code	Shaft Dia ØA** ±0.05mm	Bushing Outside Dia ØB ±0.025mm	Bushing Length C ±0.25mm	Thread M* (Inch)	Thread Length N* ±0.13mm
RSS	B (Basic)	P (Plain Dia)	3	3.18	9.53	12.7	3/8"-24	6.35
			6	6.35	12.70	19.1	7/16"-20	6.35
	Z (Anti-backlash)	Y (Thread)	10	9.53	15.88	25.4	9/16"-20	9.53
			13	12.70	20.65	38.1	3/4"-20	12.70

General Information

All dimensions in mm
 General tolerances:
 ±0.13mm
 Material:
 Spline shaft -
 Aluminium alloy, TFE coated or
 Stainless Steel
 Bushing - Graphite and
 PTFE filled thermoplastic, with
 brass collar.

Associated Products

Leadscrews
 Bearings
 Fasteners

Visit our online catalogue for associated products at:

* Only on thread mounting spline shafts.
 ** 3.18mm shaft diameter only available in RSSBP and RSSBY styles.

- For spline shaft lengths of up to 1000mm, add required length to basic part number.
- Standard shaft straightness is 0.076mm per 300mm.
- Typical radial and torsional clearance between shaft and bushing for basic assembly is 0.05 to 0.076mm. Anti-backlash assemblies provide additional system stiffness.
- Designed for light load applications.
- Maximum twist 3°/305mm.
- Torsional clearance (basic) 3° Bushing to shaft.
- Drag force 170g.

Note: Due to the process of manufacture, a small number of localised hollows and hard spots may be created. This will not affect the overall function or performance of the slide.

Non-standard options, please enquire....

- Longer lengths available.
- Larger number of bushings.
- Modified ends.
- Tube configuration (Aluminium only)



www.rpmechatronics.co.uk