

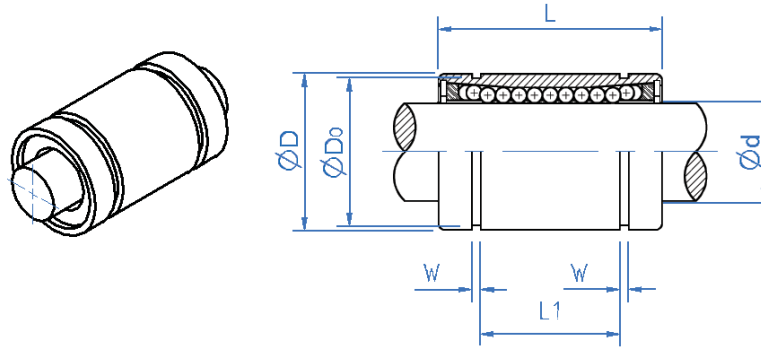


# Corrosion Resistant Precision Linear Bearings

Ø3 - Ø12mm Bore

## General Information

All dimensions in mm  
 General tolerances:  
 ±0.13mm  
 Material:  
 Housing - SUJ2 -  
 Anti-rust coated  
 bearing steel.  
 Balls - 440C - Stainless  
 steel.



## Associated Products

Linear motion shafting  
 Hollow linear motion  
 shafting

Visit our online  
 catalogue for  
 associated products at:

www.rpmechatronics.co.uk

## Part number selection table

Part Number	Dimensions									
	Inside Dia		Outside Dia		Length		Circlip Groove			Dia ØDo
	Ød		ØD		L		Position L1	Width W		
<b>MRL-3</b>	3	0.000	7	0.000	10	0.00	-		-	-
<b>MRL-4</b>	4	-0.008	8	-0.010	12	-0.12	-		-	-
<b>MRL-5</b>	5		10		15		8	±0.2	1.10	9.6
<b>MRL-6</b>	6		12	0.000	19		11		1.15	11.5
<b>MRL-8</b>	8	0.000	15	-0.011	17	0.00	9		1.15	14.3
<b>MRL-10</b>	10	-0.009	19	0.000	29	-0.20	19		1.35	18.0
<b>MRL-12</b>	12		21	-0.013	30		20	±0.3	1.35	20.0

Part Number	Specification			
	No. of Ball Circuits	Weight (Kg)	Basic Load Ratings	
			Dynamic # C (Kgf)	Static Co (Kgf)
<b>MRL-3</b>	4	0.0018	2	4
<b>MRL-4</b>		0.0028	3	6
<b>MRL-5</b>		0.004	4.5	9
<b>MRL-6</b>		0.007	7	11
<b>MRL-8</b>		0.012	8	12
<b>MRL-10</b>		0.026	20	30
<b>MRL-12</b>		0.032	28	43

# Dynamic load rating based on a rated life of 50,000m.

- In salt spray and acid tests anti-rust coated bearings showed superior corrosion resistance in comparison with conventional 440C.
- For both sides sealed add **-UU** to part number eg **MRL-6-UU**.

## Non-standard options, please enquire....

- Larger bores.
- Bearings available without anti-rust coating.

Standard Product Sales : ☎ +44 (0)1484 601060 📠 +44 (0)1484 601061  
 www.rpmechatronics.co.uk sales@rpmechatronics.co.uk