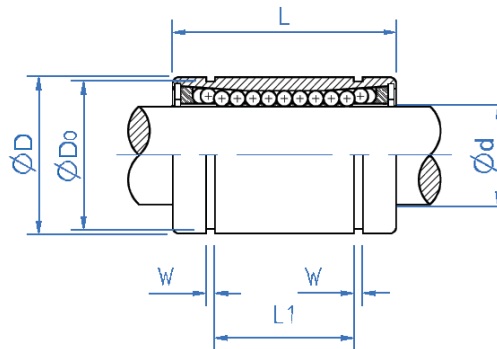
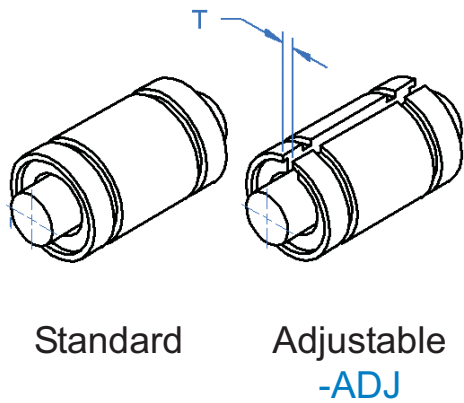


Precision Linear Bearings



General Information

All dimensions in mm
 General tolerances: ±0.13mm
 Material:
 Housing - Bearing steel SUJ2.
 Balls - Bearing steel SUJ2.

Associated Products

Linear motion shafting
 Hollow linear motion shafting

Visit our online catalogue for associated products at:

www.rpmechatronics.co.uk

Part number selection table

Part Number	Dimensions										
	Inside Dia Ød		Outside Dia ØD		Length L		Circlip Groove			-ADJ	
							Position L1	Width W	Dia ØDo	Width T	
RL-6	6		12	0.000	19		11	±0.2	1.15	11.5	1.5
RL-8	8	0.000	15	-0.011	17	0.0	9		1.15	14.3	
RL-10	10	-0.009	19	0.000	29	-0.2	19	±0.3	1.35	18.0	
RL-12	12		21	-0.009	30		20		1.35	20.0	

Part Number	Specification			
	No. of Ball Circuits	Weight (Kg)	Basic Load Ratings	
			Dynamic # C (Kgf)	Static Co (Kgf)
RL-6	4	0.007	7	11
RL-8		0.012	8	12
RL-10		0.026	20	30
RL-12		0.032	28	43

Dynamic load rating based on a rated life of 50,000m.

- For adjustable type bearings add **-ADJ** to part number eg **RL-6-ADJ**.
- For one side sealed add **-U** to part number eg **RL-6-U**.
- For both sides sealed add **-UU** to part number eg **RL-6-UU**.

Non-standard options, please enquire....

- Larger bores.
- Adjustable type bearings are available with sides sealed.

