



Rack Driven Ballslides

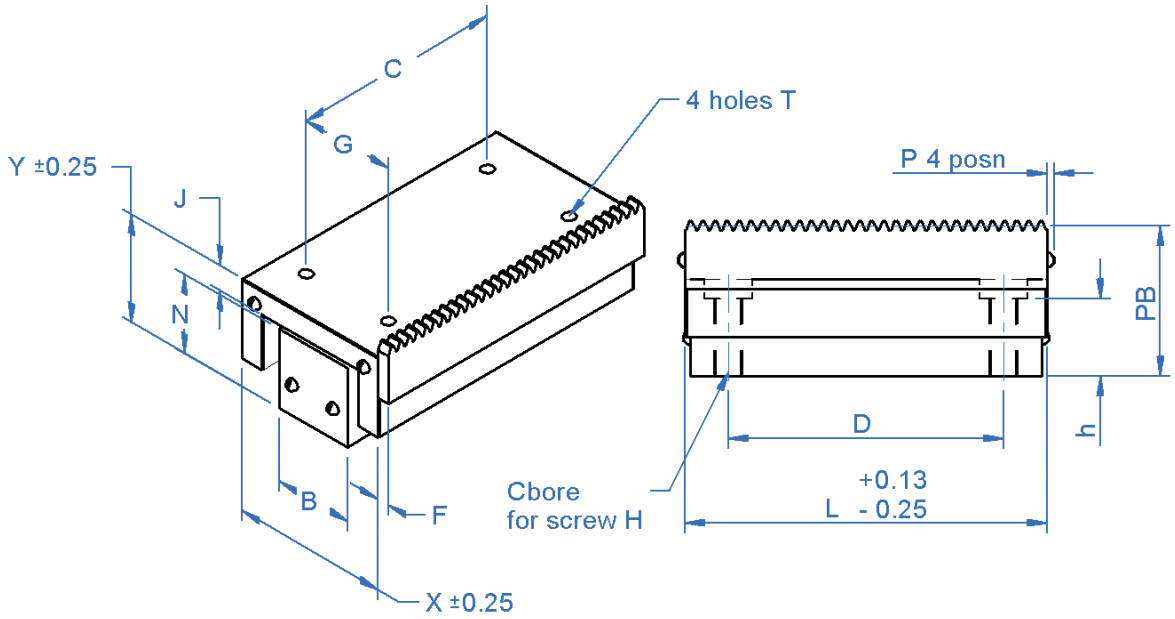
General Information

All dimensions in mm
 General tolerances:
 ±0.13mm
 Material:
 See tables

Associated Products

Fasteners
 Rack pinions

Visit our online catalogue for associated products at:



Drawing dimension and mounting table

Dimensions								Mounting Details			
Ballslide Series	Rack		Slide					Base		Carriage	
	Face Width F	Height PB	Carriage Width X	Height Y	Screw P	Base Width B	Depth N	Screw H	Thro Dist h	Thread Size T	Depth J
RDA	2.50	11.629	14.22	8.13	1.0	6.35	4.75	M2	2.6	M2	2.54
REA	3.75	11.500	19.05	10.41	1.0	9.53	6.35	M3	3.0	M3	3.30
RNA	3.75	14.500	26.92	13.46	1.0	12.70	7.92	M4	3.3	M4	4.83
RSA2	7.56	20.690	44.45	19.05	2.0	22.23	10.16	M4	5.6	M4	8.13

L, C & D dimension, see part number on page 47.

Slide specifications

Straight line accuracy	0.0005mm per mm
Positional repeatability	0.005mm
Coefficient of friction	0.003 typical
Construction	Aluminium carriage and base Hardened steel rods and balls Steel end caps
Finish: Carriage	Clear anodised standard (black finish available)
Base	

www.rpmechatronics.co.uk

Rack Driven Ballslides



Part number selection table

Part Number	Ballslide Travel +1.5/-0.0	Ballslide Length L	Hole Centres C	Hole Centres D	Hole Centres G	Ballslide Load Capacity N
RDA-1	12.7	26.92	15.00	19.00	6.0	17.8
RDA-3	50.8	77.72	66.00	60.00		53.4
RDA-6	127.0	153.92	142.00	114.00		80.1
REA-1	12.7	26.92	15.00	19.00	9.0	35.6
REA-3	50.8	77.72	66.00	60.00		53.4
REA-6	127.0	153.92	142.00	114.00		80.1
RNA-3	50.8	90.42	82.00	79.00	10.0	89.0
RNA-6	101.6	152.40	140.00	102.00		133.5
RNA-10	203.2	254.00	240.00	178.00		178.0
RSA2-2	50.8	82.55	65.00	65.00	20.0	186.9
RSA2-4	101.6	152.40	140.00	100.00		267.1
RSA2-8	203.2	254.00	240.00	178.00		400.6

General Information

All dimensions in mm
General tolerances:
±0.13mm
Material:
See tables

Associated Products

Fasteners
Rack pinions

Visit our online catalogue for associated products at:

Rack specifications

Ballslide Series	Rack Pitch	Material	Hardness	Cumulative Pitch Error per 300mm
RDA	1.0	Stainless steel	35-45 HRc	0.008mm
REA				
RNA				
RSA2	2.5			

www.rpmechatronics.co.uk

Non-standard options, please enquire....

- Imperial racks.

Standard Product Sales : +44 (0)1484 601060 +44 (0)1484 601061
www.rpmechatronics.co.uk sales@rpmechatronics.co.uk

© Reliance Precision Mechatronics LLP