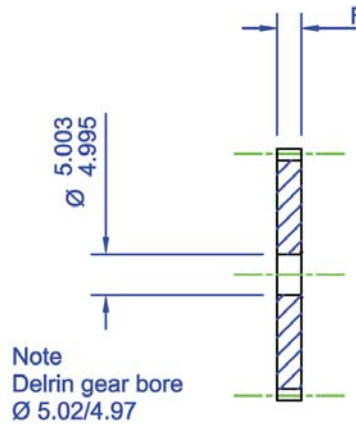




All dimensions in mm
 General tolerances $\pm 0.13\text{mm}$
 Pressure angle 20°

Associated Online Products
 Anti-backlash gears
 Shafts



4

Part number selection table

Example Part No:- F06S1B12 F3A- 75					
Standard Modules	Basic Part Number Standard Materials #		Face Width	Number of Teeth	
	Stainless Steel	Aluminium Alloy	Dim F	Min	Max
1.50	F150S1B5	F150A1B5	F3A- (3mm) or F6A- (6mm)	14 †	72
1.25	F125S1B5	F125A1B5		14 †	86
1.0	F10S1B5	F10A1B5		15 †	109
0.8	F08S1B5	F08A1B5		17	136
0.6	F06S1B5	F06A1B5		19	183
0.5	F05S1B5	F05A1B5		20	220
0.4	F04S1B5	F04A1B5		23	275
0.3	F03S1B5	F03A1B5		27	368
0.25	F025S1B5	F025A1B5		30	442
0.2	F02S1B5	F02A1B5		35	553

† Gears of 16 teeth or fewer will be modified, see page 107

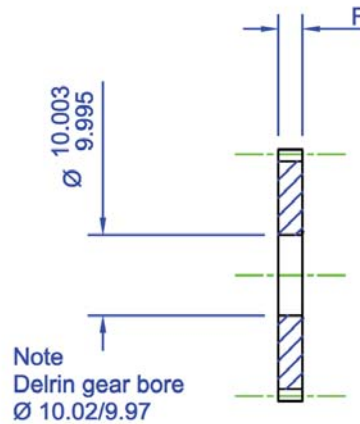
Alternative materials - replace **S1** in the part number with **B2** for brass, **D1** for delrin or **S9** for hardened stainless steel

- Standard gear quality AQ10 (AQ9 for 1.5 mod) - see page 102
- Material and treatment specifications - see page 105
- Higher gear qualities - see page 102
- Imperial diametral pitches available
- Imperial 3/16" bore available

Associated Online Products

- Anti-backlash gears
- Shafts
- Gear and dual hubs (clamp)
- Gear and dual hubs (pin)

All dimensions in mm
 General tolerances $\pm 0.13\text{mm}$
 Pressure angle 20°



Part number selection table

Example Part No:- F06S1B10 F6A- 75					
Standard Modules	Basic Part Number Standard Materials #		Face Width	Number of Teeth	
	Stainless Steel	Aluminium Alloy	Dim F	Min	Max
1.50	F150S1B10	F150A1B10	F3A- (3mm)	17	72
1.25	F125S1B10	F125A1B10		18	86
1.0	F10S1B10	F10A1B10		20	109
0.8	F08S1B10	F08A1B10		23	136
0.6	F06S1B10	F06A1B10	or	27	183
0.5	F05S1B10	F05A1B10	F6A- (6mm)	30	220
0.4	F04S1B10	F04A1B10		35	275
0.3	F03S1B10	F03A1B10		44	368
0.25	F025S1B10	F025A1B10		50	442
0.2	F02S1B10	F02A1B10		60	553

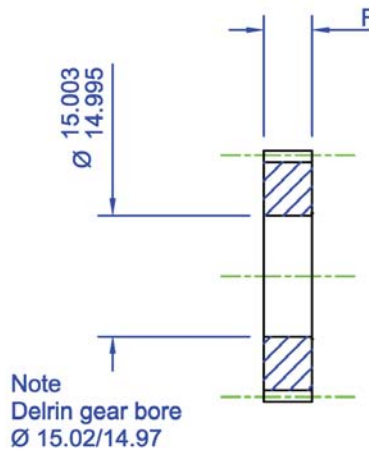
Alternative materials - replace **S1** in the part number with **B2** for brass, **D1** for delrin or **S9** for hardened stainless steel

- Standard gear quality AQ10 (AQ9 for 1.5 mod) - see [page 102](#)
- Material and treatment specifications - see [page 105](#)
- Higher gear qualities - see [page 102](#)
- Imperial diametral pitches available
- Imperial 3/8" bore available



All dimensions in mm
 General tolerances $\pm 0.13\text{mm}$
 Pressure angle 20°

Associated Online Products
 Anti-backlash gears



4

Part number selection table

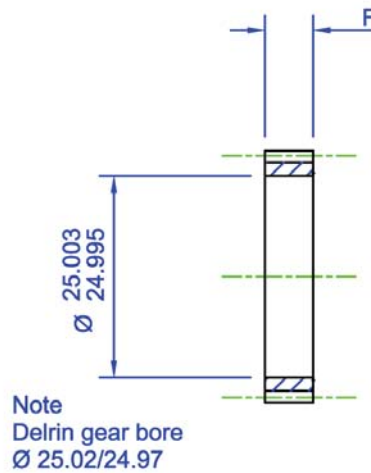
Example Part No:- F06S1B15 F3A- 75					
Standard Modules	Basic Part Number Standard Materials #		Face Width	Number of Teeth	
	Stainless Steel	Aluminium Alloy	Dim F	Min	Max
1.50	F150S1B15	F150A1B15	F3A- (3mm) or F6A- (6mm)	20	72
1.25	F125S1B15	F125A1B15		22	86
1.0	F10S1B15	F10A1B15		25	109
0.8	F08S1B15	F08A1B15		29	136
0.6	F06S1B15	F06A1B15		35	183
0.5	F05S1B15	F05A1B15		40	220
0.4	F04S1B15	F04A1B15		48	275
0.3	F03S1B15	F03A1B15		60	368
0.25	F025S1B15	F025A1B15		70	442
0.2	F02S1B15	F02A1B15		85	553

Alternative materials - replace **S1** in the part number with **B2** for brass, **D1** for delrin or **S9** for hardened stainless steel

- Standard gear quality AQ10 (AQ9 for 1.5 mod) - see [page 102](#)
- Material and treatment specifications - see [page 105](#)
- Higher gear qualities - see [page 102](#)
- Imperial diametral pitches available
- Imperial 11/16" bore available

Associated Online Products
Anti-backlash gears

All dimensions in mm
General tolerances $\pm 0.13\text{mm}$
Pressure angle 20°



Part number selection table

Example Part No:- F06S1B25 F6A- 75					
Standard Modules	Basic Part Number Standard Materials #		Face Width	Number of Teeth	
	Stainless Steel	Aluminium Alloy	Dim F	Min	Max
1.50	F150S1B25	F150A1B25	F3A- (3mm) or F6A- (6mm)	27	72
1.25	F125S1B25	F125A1B25		30	86
1.0	F10S1B25	F10A1B25		35	109
0.8	F08S1B25	F08A1B25		42	136
0.6	F06S1B25	F06A1B25		52	183
0.5	F05S1B25	F05A1B25		60	220
0.4	F04S1B25	F04A1B25		73	275
0.3	F03S1B25	F03A1B25		94	368
0.25	F025S1B25	F025A1B25		110	442
0.2	F02S1B25	F02A1B25		135	553

Alternative materials - replace **S1** in the part number with **B2** for brass, **D1** for delrin or **S9** for hardened stainless steel

- Standard gear quality AQ10 (AQ9 for 1.5 mod) - see [page 102](#)
- Material and treatment specifications - see [page 105](#)
- Higher gear qualities - see [page 102](#)
- Imperial diametral pitches available
- Imperial 1" bore available