

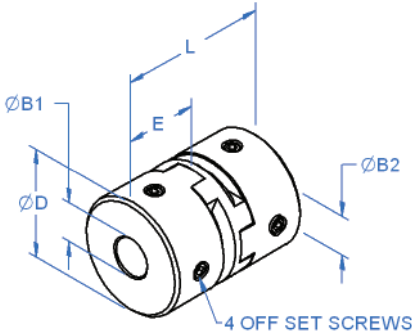


Oldham Large Offset Couplings

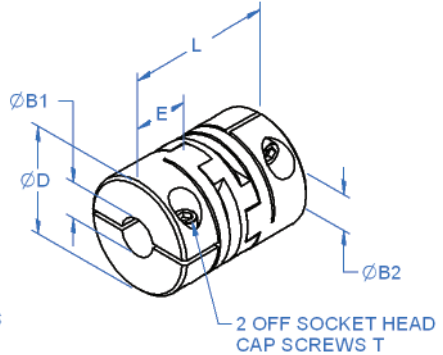
3 - 12mm Bore

General Information

All dimensions in mm
 Manufactured by
 Ruland Corp
 Hub material:
 Aluminium bar 2024
 T351 or 7075 T651
 type II sulfuric
 anodised
 Spacer material:
 Acetal and nylon 11



MOST (set screw)



MOCT (clamp)

Associated Products

Shafts
 Bearings
 Leadscrews

Visit our online catalogue for associated products

Part number selection table

Example Part No:- MOST AT-13-3-3							Dimensions (mm)			
Basic Part No.	Disc Material	Size	Standard Bore Sizes ØB1 and ØB2 (bore tolerance +0.020/-0.000)				O/D ØD	Length L	Hub Length E	Fitted Screw T
			3	4	5	6				
MOST (set screw)	AT (Acetal)	13					12.7	15.9	5.6	M3
		19					19.1	22.2	7.6	M3
	NL (Nylon)	25					25.4	28.6	9.9	M4
		33					33.3	47.6	15.0	M4
		41					41.3	50.8	18.0	M5
MOCT (clamp)	AT (Acetal)	19					19.1	25.4	9.7	M2.5
		25					25.4	31.8	11.9	M3
	NL (Nylon)	33					33.3	47.6	15.0	M3
		41					41.3	50.8	18.0	M4

Imperial bores (1/8" to 1/2") available, please enquire.

www.rpmechatronics.co.uk

Non-standard options, please enquire....

- Non-standard bore sizes, including imperial.



Standard Product Sales : ☎ +44 (0)1484 601060 📠 +44 (0)1484 601061
 www.rpmechatronics.co.uk sales@rpmechatronics.co.uk

© Reliance Precision Mechatronics LLP

