



Reli-a-Flex® Precision Couplings

3 - 12mm Bore

General Information

All dimensions in mm
General tolerances:
±0.13mm
Material:

Pressure angle 20°

Notes

(1): Imperial sizes also available please enquire
(2): Bores may be left unalocromed

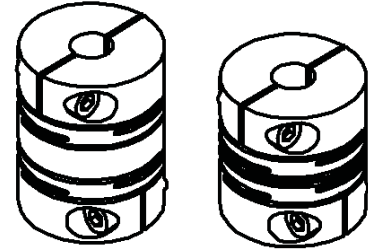
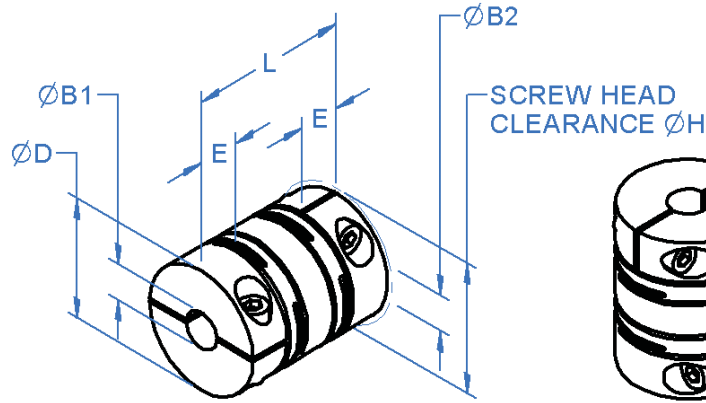
Patented

UK Number 2316735
US Number 6,203,437 B1
European Number EP 0922168 B1
Japanese Pending No.511360/1998

Associated Products

Clamp hub gears
Shafts
Bearings

Visit our online catalogue for associated products



RCL (long type) **RCS** (short type)

Couplings are chambered for ease of assembly and fitted with stainless steel screws.

Part number selection table

Example Part No:- RCS A 20C - 8-5				Dimensions (mm)				
Basic Part No.	Material	Size	Standard Bore Sizes ØB1 and ØB2 (bore tolerance +0.020/-0.000)	O/D		Length L	Hub Length E	Fitted Screw
				ØD	ØH			
RCS (short)	A (Aluminium)	13C	3 4 5 6	13.0	14.5	16.80	5.00	M1.6
		16C	3 4 5 6 8	16.0	18.0	19.75	5.90	M2
		20C	4 5 6 8 10	20.0	21.8	21.50	6.60	M2.5
		25C	5 6 8 10 12	25.0	26.9	25.80	7.60	M3
RCL (long)	A (Aluminium)	13C	3 4 5 6	13.0	14.5	20.00	5.00	M1.6
		16C	3 4 5 6 8	16.0	18.5	23.50	5.90	M2
		20C	4 5 6 8 10	20.0	21.8	26.00	6.60	M2.5
		25C	5 6 8 10 12	25.0	26.9	34.00	7.60	M3

Maximum shaft intrusion when fitted = E+2mm.

Non-standard options, please enquire...

- Electrically insulated, sizes 20 and 25.
- Non-standard bore sizes, including imperial.
- Alternative materials.
- Custom designs.
- Reli-a-Grip™ clamp design - see pages 8 - 9.



Standard Product Sales : ☎ +44 (0)1484 601060 📠 +44 (0)1484 601061
www.reliaflex.co.uk sales@rpmechatronics.co.uk

© Reliance Precision Mechatronics LLP



Technical specifications

Basic Part No.	Material	Size	Torsional Stiffness mNm/arcmin	Radial Compliance microns/N	Misalignment			Max Inertia g.cm ²	Max Mass g
					Parallel mm	Angular deg	Axial mm		
RCS (short)	A	13C	13.09	29.2	0.08	2.5	±0.30	1.0	4.4
		16C	20.36	28.9	0.10	2.5	±0.40	2.9	8.6
		20C	33.45	23.4	0.12	3.0	±0.50	7.9	14.9
		25C	52.94	20.0	0.16	3.0	±0.70	23.0	27.5
RCL (long)	A	13C	15.56	64.3	0.15	2.5	±0.30	1.2	5.5
		16C	24.43	65.1	0.20	2.5	±0.40	3.3	10.6
		20C	40.43	62.0	0.25	3.0	±0.50	9.0	18.7
		25C	66.03	82.2	0.40	3.0	±0.70	31.0	38.5

Specifications vary according to bore size. For exact figures, please enquire.

General Information

All dimensions in mm
General tolerances:
±0.13mm
Material:

Pressure angle 20°

Notes

(1): Imperial sizes also available please enquire
(2): Bores may be left unalocromed

Torque and speed capacity

Basic Part No.	Material	Size	Typical Torque Capacity			Max Speed* rpm
			Reversing Nm	Non Reversing Nm	Peak Nm	
RCS (short) or RCL (long)	A	13C	0.35	0.45	0.50	12000
		16C	0.55	0.85	1.25	10000
		20C	0.95	1.45	2.45	7500
		25C	1.55	2.35	3.90	5000

* For set screw coupling, increase speed by 150% on short type (**RCS**) and by 66% on long type (**RCL**)

Specifications vary according to bore size. For exact figures, please enquire.

Patented

UK Number 2316735
US Number 6,203,437 B1
European Number EP 0922168 B1
Japanese Pending No.511360/1998

Associated Products

Clamp hub gears
Shafts
Bearings

Visit our online catalogue for associated products



www.rpmechatronics.co.uk