

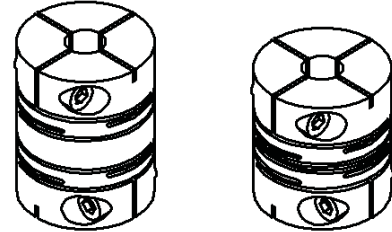
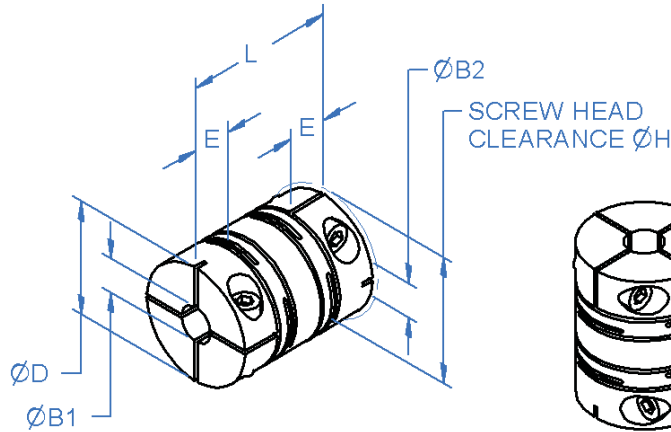


Reli-a-Flex[®] Precision Couplings with Reli-a-Grip[™] Clamp

3 - 12mm Bore

General Information

All dimensions in mm
General tolerances:
±0.13mm
Material:
Aluminium alloy
Grade 7075-T6
Allocrom 1000⁽¹⁾



RCL (long type) **RCS** (short type)

Notes

(1): Bores may be left unalocromed

Couplings are chambered for ease of assembly and fitted with stainless steel screws.

Part number selection table

Example Part No:- RCS A 20G - 8-5				Dimensions (mm)				
Basic Part No.	Material	Size	Standard Bore Sizes ØB1 and ØB2 (bore tolerance +0.020/-0.000)	O/D		Length L	Hub Length E	Fitted Screw
				ØD	ØH			
RCS (short)	A (Aluminium)	13G	3 4 5 6	13.0	14.5	16.80	5.00	M1.6
		16G	3 4 5 6 8	16.0	18.0	19.75	5.90	M2
		20G	4 5 6 8 10	20.0	21.8	21.50	6.60	M2.5
		25G	5 6 8 10 12	25.0	26.9	25.80	7.60	M3
RCL (long)	A (Aluminium)	13G	3 4 5 6	13.0	14.5	20.00	5.00	M1.6
		16G	3 4 5 6 8	16.0	18.0	23.50	5.90	M2
		20G	4 5 6 8 10	20.0	21.8	26.00	6.60	M2.5
		25G	5 6 8 10 12	25.0	26.9	34.00	7.60	M3

Maximum shaft intrusion when fitted = E+2mm.

Patented

UK Number 2316735
US Number 6,203,437 B1
European Number EP 0922168 B1
Japanese Pending No.511360/1998

Associated Products

Shafts
Bearings
Leadscrews
Stepper motors

Visit our online catalogue for associated products

Non-standard options, please enquire...

- Electrically insulated.
- Non-standard bore sizes, including imperial.
- Alternative materials.
- Custom designs.





Technical specifications

Basic Part No.	Material	Size	Torsional Stiffness mNm/arcmin	Radial Compliance microns/N	Misalignment			Max Inertia g.cm ²	Max Mass g
					Parallel mm	Angular deg	Axial mm		
RCS (short)	A	13G	13.09	29.2	0.08	2.5	±0.30	1.0	4.4
		16G	20.36	28.9	0.10	2.5	±0.40	2.9	8.6
		20G	33.45	23.4	0.12	3.0	±0.50	7.9	14.9
		25G	52.94	20.0	0.16	3.0	±0.70	23.0	27.5
RCL (long)	A	13G	15.56	64.3	0.15	2.5	±0.30	1.2	5.5
		16G	24.43	65.1	0.20	2.5	±0.40	3.3	10.6
		20G	40.43	62.0	0.25	3.0	±0.50	9.0	18.7
		25G	66.03	82.2	0.40	3.0	±0.70	31.0	38.5

Specifications vary according to bore size. For exact figures, please enquire.

General Information

All dimensions in mm
General tolerances:
±0.13mm
Material:
Aluminium alloy
Grade 7075-T6
Alocrom 1000⁽¹⁾

Notes

(1): Bores may be left unalocromed

Torque and speed capacity

Basic Part No.	Material	Size	Typical Torque Capacity			Max Speed rpm
			Reversing Nm	Non Reversing Nm	Peak Nm	
RCS (short) or RCL (long)	A	13G	0.45	0.60	0.70	12000
		16G	0.75	1.15	1.65	10000
		20G	1.30	1.95	3.25	7500
		25G	2.05	3.10	5.20	5000

Specifications vary according to bore size. For exact figures, please enquire.

Patented

UK Number 2316735
US Number 6,203,437 B1
European Number EP 0922168 B1
Japanese Pending No.511360/1998

Associated Products

Shafts
Bearings
Leadscrews
Stepper motors

Visit our online catalogue for associated products



www.rpmechatronics.co.uk